

# RSE Camshaft Spec Card

Real Speed Engineering

PART NAME **SPEC-R**

ENGINE **VR38DETT**

PART NUMBER SET **RA301A-NS01C** IN **RA301C-NS01C** EX **RA301E-NS01C**

|       |    |               |       |
|-------|----|---------------|-------|
| GRIND | IN | 282° /11.30mm | SOLID |
|       | EX | 282° /11.30mm | SOLID |

|      |    |              |                |
|------|----|--------------|----------------|
| LIFT | IN | @CAM 11.30mm | @VALVE 11.00mm |
|      | EX | @CAM 11.30mm | @VALVE 10.97mm |

|                |    |       |
|----------------|----|-------|
| LOBE CENTER(°) | IN | 124.0 |
|                | EX | 115.0 |

|             |    |       |
|-------------|----|-------|
| BASE CIRCLE | IN | Φ35.4 |
|             | EX | Φ35.4 |

|                           |    |        |
|---------------------------|----|--------|
| VALVE CLEARANCE WHEN COLD | IN | 0.30mm |
|                           | EX | 0.33mm |

|                   |   |
|-------------------|---|
| ROCKER ARM RATIO* | - |
|-------------------|---|

\* ALL LIFTS ARE BASED ON ZERO LASH AND THORETICAL ROCKER ARM RATIOS

| CAM TIMING      |    | OPENS(°) |      | CLOSES(°) |      | Actual Duration @ Opening(°) |
|-----------------|----|----------|------|-----------|------|------------------------------|
| Actual Duration | IN | BTDC     | 16.0 | ABDC      | 86.0 | 282.0                        |
| Valve Lift      | EX | BBDC     | 75.0 | ATDC      | 27.0 | 282.0                        |

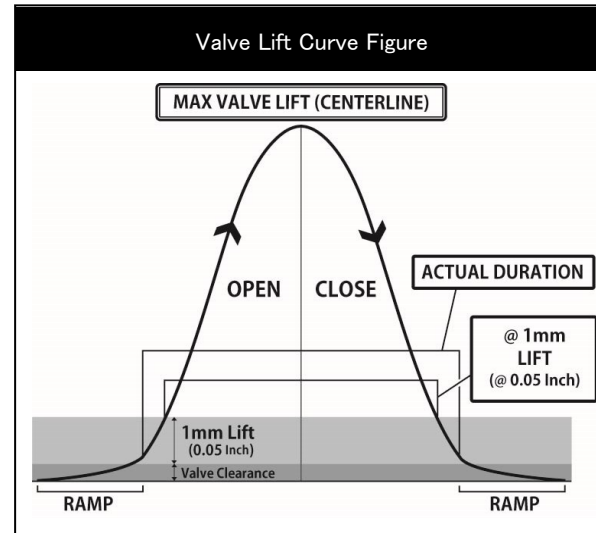
Values shown are, from start to the end of actual duration. (Excluding the ramp values)

| CAM TIMING        |    | OPENS(°) |      | CLOSES(°) |      | TOTAL DURATION(°) |
|-------------------|----|----------|------|-----------|------|-------------------|
| at 1mm Valve Lift | IN | BTDC     | 0.0  | ABDC      | 70.0 | 250.0             |
|                   | EX | BBDC     | 59.0 | ATDC      | 11.0 | 250.0             |

Values are of actual duration from start to end of 1mm value points. (Excluding the ramp values)

| CAM TIMING          |    | OPENS(°) |      | CLOSES(°) |      | TOTAL DURATION(°) |
|---------------------|----|----------|------|-----------|------|-------------------|
| at 0.05" Valve Lift | IN | BTDC     | -2.0 | ABDC      | 68.0 | 246.0             |
|                     | EX | BBDC     | 57.0 | ATDC      | 7.0  | 244.0             |

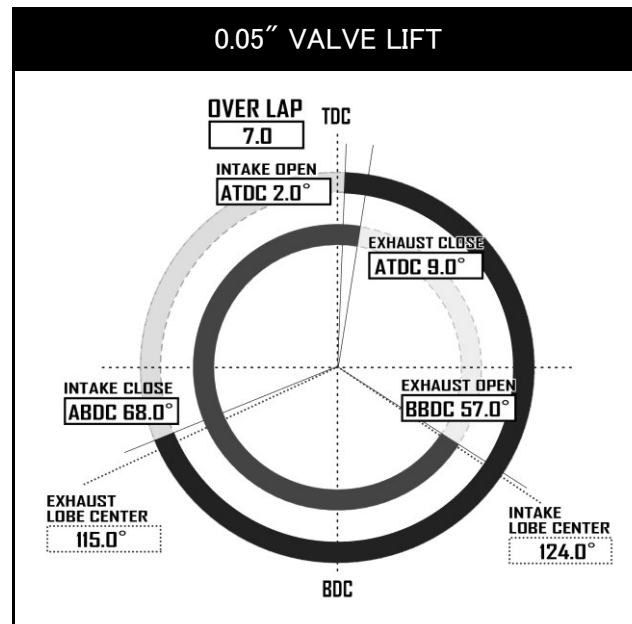
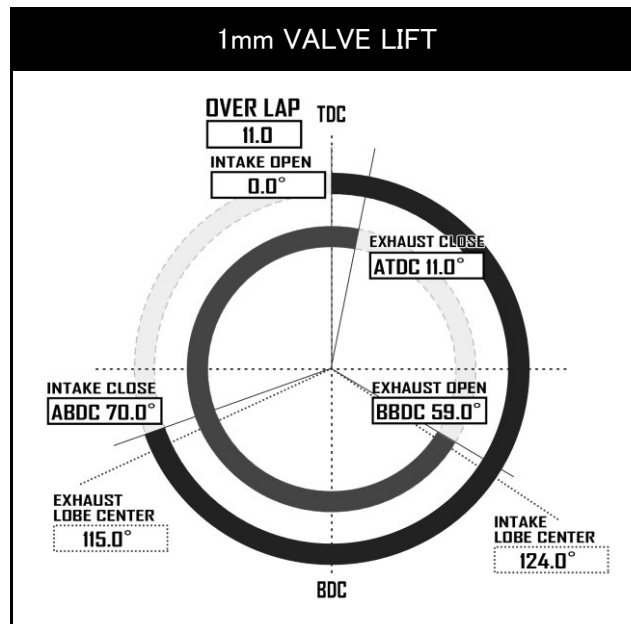
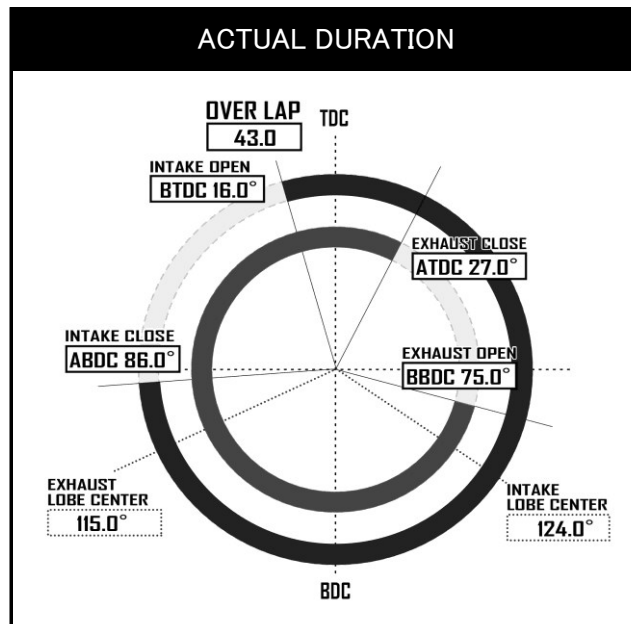
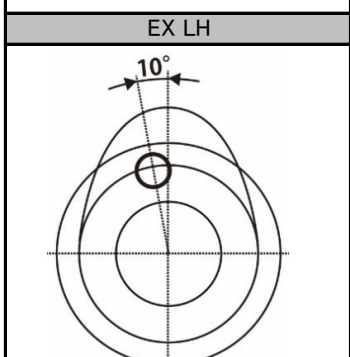
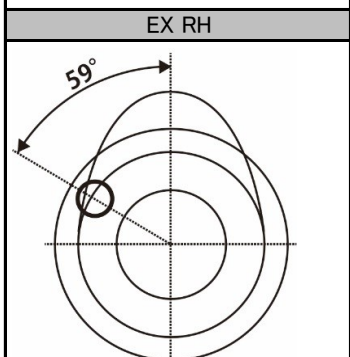
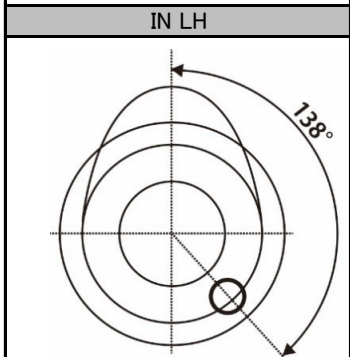
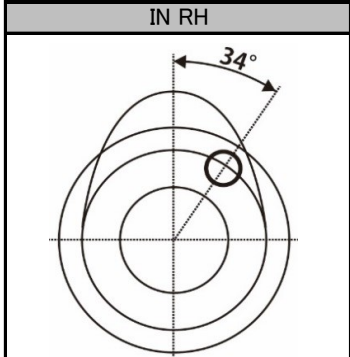
Values are of actual duration from start to end of 0.05" value points. (Excluding the ramp values)



| REQUIRED VALVE SPRING SPEC |              |            |    |            |
|----------------------------|--------------|------------|----|------------|
| NORMAL HEIGHT              | IN           | 45.1mm     | EX | 45.1mm     |
| SET LENGTH                 | IN           | 36.6mm     | EX | 33.7mm     |
| LIFT LENGTH                | IN           | 25.6mm     | EX | 22.5mm     |
| COMPRESSED HEIGHT          | IN           | 21.7mm     | EX | 21.7mm     |
| SET LOAD                   | IN           | 22.0kgf±6% | EX | 32.0kgf±6% |
| LIFT LOAD                  | IN           | 60.0kgf±6% | EX | 70.0kgf±6% |
| PART NUMBER                | RA304A-NS01A |            |    |            |

| REQUIRED PARTS |             |
|----------------|-------------|
| PRODUCT NAME   | PART NUMBER |
|                |             |
|                |             |
|                |             |
|                |             |
|                |             |
|                |             |

Dowel pin position when first cam lobe is pointing upwards.



|    |        |              |    |              |          |              |  |
|----|--------|--------------|----|--------------|----------|--------------|--|
| 品名 | SPEC-R |              |    | 適合           | VR38DETT |              |  |
| 品番 | SET    | RA301A-NS01C | IN | RA301C-NS01C | EX       | RA301E-NS01C |  |

|      |    |                |       |     |    |              |                |                |    |       |      |    |       |
|------|----|----------------|-------|-----|----|--------------|----------------|----------------|----|-------|------|----|-------|
| スペック | IN | 282° / 11.30mm | SOLID | リフト | IN | @CAM 11.30mm | @VALVE 11.00mm | 初期設定<br>中心角(°) | IN | 124.0 | ベース円 | IN | Φ35.4 |
|      | EX | 282° / 11.30mm | SOLID |     | EX | @CAM 11.30mm | @VALVE 10.97mm |                | EX | 115.0 |      | EX | Φ35.4 |

|           |    |        |             |                                                         |  |  |  |  |  |  |  |  |  |  |
|-----------|----|--------|-------------|---------------------------------------------------------|--|--|--|--|--|--|--|--|--|--|
| 冷間時       | IN | 0.30mm | ロッカーアームレシオ* | *すべてのリフト値はラッシュアジャスターが動作していない時、およびロッカーアームレシオから計算した理論値です。 |  |  |  |  |  |  |  |  |  |  |
| バルブクリアランス | EX | 0.33mm | -           |                                                         |  |  |  |  |  |  |  |  |  |  |

| カムタイミング         |    | OPENS(°) |      | CLOSES(°) |      | Actual Duration @ Opening(°) |
|-----------------|----|----------|------|-----------|------|------------------------------|
| 有効作用角<br>バルブリフト | IN | BTDC     | 16.0 | ABDC      | 86.0 | 282.0                        |
|                 | EX | BBDC     | 75.0 | ATDC      | 27.0 | 282.0                        |

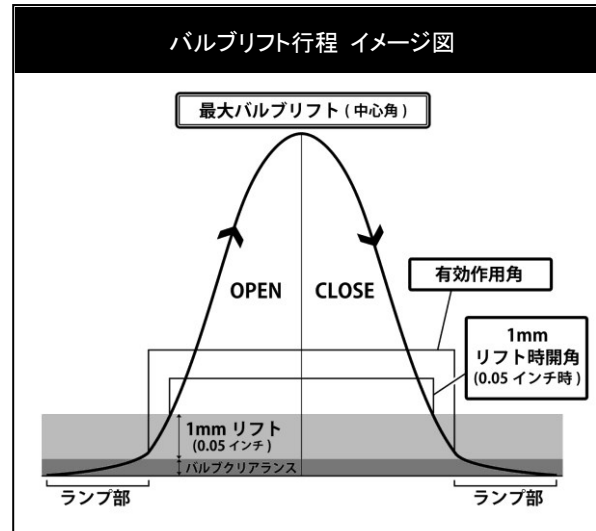
ランプ部を除いた有効作用角の始点と終点の数値

| カムタイミング       |    | OPENS(°) |      | CLOSES(°) |      | TOTAL DURATION(°) |
|---------------|----|----------|------|-----------|------|-------------------|
| 1mm<br>バルブリフト | IN | BTDC     | 0.0  | ABDC      | 70.0 | 250.0             |
|               | EX | BBDC     | 59.0 | ATDC      | 11.0 | 250.0             |

ランプ部を含めたバルブの開き始めと閉じ終わりから1mmの点での数値

| カムタイミング         |    | OPENS(°) |      | CLOSES(°) |      | TOTAL DURATION(°) |
|-----------------|----|----------|------|-----------|------|-------------------|
| 0.05"<br>バルブリフト | IN | BTDC     | -2.0 | ABDC      | 68.0 | 246.0             |
|                 | EX | BBDC     | 57.0 | ATDC      | 7.0  | 244.0             |

ランプ部を含めたバルブの開き始めと閉じ終わりから0.05インチの点での数値



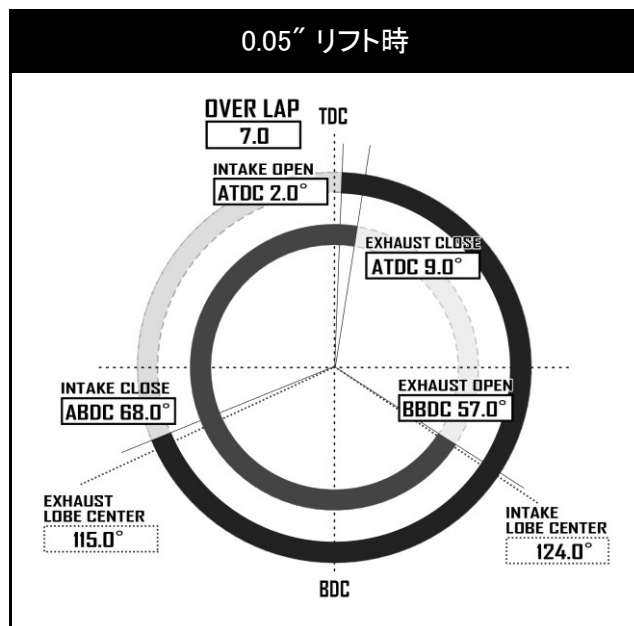
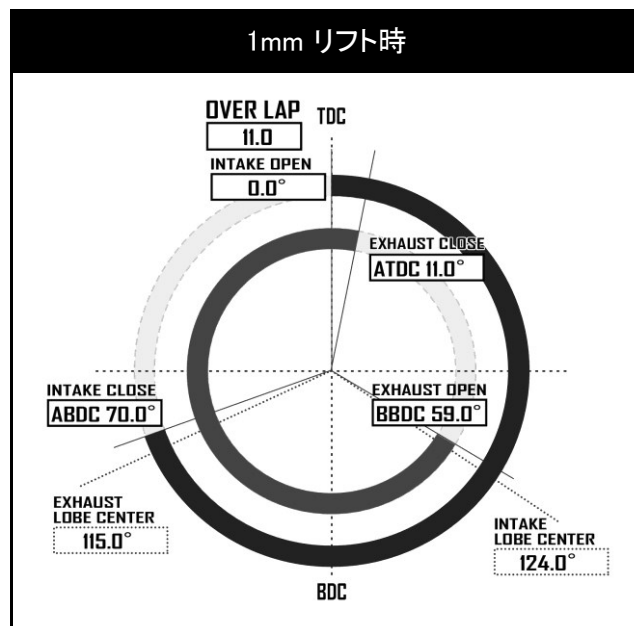
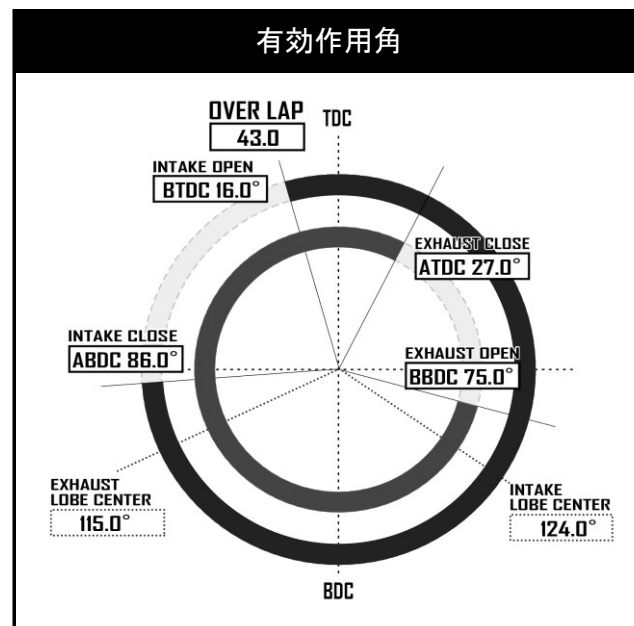
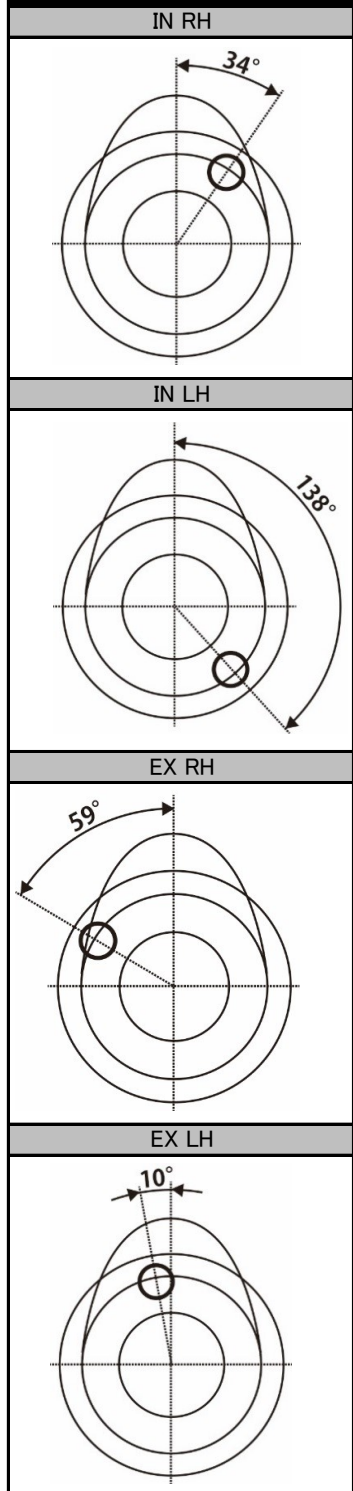
### 推奨バルブスプリング

|       |              |            |    |            |
|-------|--------------|------------|----|------------|
| 自由長   | IN           | 45.1mm     | EX | 45.1mm     |
| セット長  | IN           | 36.6mm     | EX | 33.7mm     |
| リフト長  | IN           | 25.6mm     | EX | 22.5mm     |
| 密着長   | IN           | 21.7mm     | EX | 21.7mm     |
| セット荷重 | IN           | 22.0kgf±6% | EX | 32.0kgf±6% |
| リフト荷重 | IN           | 60.0kgf±6% | EX | 70.0kgf±6% |
| 品番    | RA304A-NS01A |            |    |            |

### 必要部品

| 製品名 | 品番 |
|-----|----|
|     |    |
|     |    |
|     |    |
|     |    |
|     |    |
|     |    |

第1カム山をトップ位置にした際のノックピン位置





# 取扱説明書

## INSTALLATION MANUAL

---

## カムシャフト

### CAMSHAFTS

目次 / INDEX

P6 日本語

P10 English

このたびは弊社製品をお買い上げいただき、まことにありがとうございます。

ご使用前にこの説明書をよくお読みのうえ正しくお使いください。

お読みになった後もすぐ取り出せる場所に大切に保管してください。

説明書に書かれている注意事項は必ず守ってください。

各自動車メーカーの発行する整備要領書が必要になります。本書と合わせてお使いください。

不適切な使用により事故が生じた場合、弊社では責任を負いかねますので、あらかじめご了承ください。

販売店様で取り付けをされる場合は本書を必ずお客様へお渡しください。

---

Thank you for purchasing a Real Speed Engineering product.

Please read this installation manual carefully prior to installation/use.

Ensure you keep this document stored in a safe location for future reference.

Pay close attention to and adhere to the various warnings/cautions contained herein.

You should also consult the official servicing manual for your vehicle when installing this product.

Please note that inappropriate installation/use of this product will be at the owner's own risk and/or responsibility.

Retailers/Workshops should ensure this document is given to the end user.

| エンジン<br>Engine | 作用角<br>Duration<br>(°) | 最大<br>カム<br>リフト<br>Max<br>Cam<br>Lift<br>(mm) | IN<br>EX | 最大<br>バルブ<br>リフト<br>Max<br>Valve<br>Lift<br>(mm) | 冷間時<br>バルブ<br>クリア<br>ランス<br>Cold Valve<br>Clearance<br>(mm)<br>[±0.01] | バルブ<br>タイミング<br>初期設定<br>中心角<br>Initial Lobe<br>Center<br>Angle<br>(°) | ベース<br>サークル<br>Base<br>Circle<br>(Φ) | 品番<br>Part No. | P.5参照<br>Ref : P.5 | 備考<br>Notes    |                      |              |              |              |
|----------------|------------------------|-----------------------------------------------|----------|--------------------------------------------------|------------------------------------------------------------------------|-----------------------------------------------------------------------|--------------------------------------|----------------|--------------------|----------------|----------------------|--------------|--------------|--------------|
| VR38DETT       | 258                    | 10.30                                         | IN       | 10.00                                            | 0.30                                                                   | 124                                                                   | 35.4                                 | RA301C-NS01A   |                    |                |                      |              |              |              |
|                |                        |                                               | EX       |                                                  |                                                                        |                                                                       |                                      | 9.97           | 0.33               |                | 115                  | RA301E-NS01A |              |              |
|                | 274                    | 11.30                                         | IN       | 11.00                                            | 0.30                                                                   | 124                                                                   |                                      | RA301C-NS01B   | ※1                 |                |                      |              |              |              |
|                |                        |                                               | EX       |                                                  |                                                                        |                                                                       |                                      | 10.97          | 0.33               |                | 115                  | RA301E-NS01B | ※1           |              |
|                | 282                    | 11.30                                         | IN       | 11.00                                            | 0.30                                                                   | 124                                                                   |                                      | RA301C-NS01C   | ※1                 |                |                      |              |              |              |
|                |                        |                                               | EX       |                                                  |                                                                        |                                                                       |                                      | 10.97          | 0.33               |                | 115                  | RA301E-NS01C | ※1           |              |
| RB26DETT       | 254                    | 9.15                                          | IN       | 8.70                                             | 0.45                                                                   | 110                                                                   | 32.0                                 | RA301C-NS05A   |                    |                |                      |              |              |              |
|                |                        |                                               | EX       |                                                  |                                                                        |                                                                       |                                      | 8.77           | 0.38               |                | 115                  | RA301E-NS05A |              | BNR32/BCNR33 |
|                |                        |                                               | EX       |                                                  |                                                                        |                                                                       |                                      | 8.70           | 0.45               |                | 110                  | RA301E-NS05B |              | BNR34        |
|                | 262                    | 9.15                                          | IN       | 8.70                                             | 0.45                                                                   | 110                                                                   |                                      | RA301C-NS05B   |                    |                |                      |              |              |              |
|                |                        |                                               | EX       |                                                  |                                                                        |                                                                       |                                      | 8.77           | 0.38               |                | 115                  | RA301E-NS05C |              | BNR32/BCNR33 |
|                |                        |                                               | EX       |                                                  |                                                                        |                                                                       |                                      | 8.70           | 0.45               |                | 110                  | RA301E-NS05D |              | BNR34        |
|                | 262                    | 10.25                                         | IN       | 9.80                                             | 0.45                                                                   | 110                                                                   | 30.0                                 | RA301C-NS05F   | ※2/4               |                |                      |              |              |              |
|                |                        |                                               | EX       |                                                  |                                                                        |                                                                       |                                      | 9.87           | 0.38               | 115            | RA301E-NS05L         | ※2/4         | BNR32/BCNR33 |              |
|                |                        |                                               | EX       |                                                  |                                                                        |                                                                       |                                      | 9.80           | 0.45               | 110            | RA301E-NS05M         | ※2/4         | BNR34        |              |
|                | 272                    | 10.25                                         | IN       | 9.80                                             | 0.45                                                                   | 110                                                                   |                                      | RA301C-NS05C   | ※2/4               |                |                      |              |              |              |
|                |                        |                                               | EX       |                                                  |                                                                        |                                                                       |                                      | 9.87           | 0.38               | 115            | RA301E-NS05E         | ※2/4         | BNR32/BCNR33 |              |
|                |                        |                                               | EX       |                                                  |                                                                        |                                                                       |                                      | 9.80           | 0.45               | 110            | RA301E-NS05F         | ※2/4         | BNR34        |              |
|                | 282                    | 10.80                                         | IN       | 10.35                                            | 0.45                                                                   | 110                                                                   | 30.0                                 | RA301C-NS05D   | ※2/4               |                |                      |              |              |              |
|                |                        |                                               | EX       |                                                  |                                                                        |                                                                       |                                      | 10.42          | 0.38               | 115            | RA301E-NS05G         | ※2/4         | BNR32/BCNR33 |              |
|                |                        |                                               | EX       |                                                  |                                                                        |                                                                       |                                      | 11.05          | 0.45               | 110            | RA301E-NS05H         | ※2/4         | BNR34        |              |
|                | 292                    | 11.50                                         | IN       | 11.05                                            | 0.45                                                                   | 110                                                                   |                                      | RA301C-NS05E   | ※3/4               |                |                      |              |              |              |
|                |                        |                                               | EX       |                                                  |                                                                        |                                                                       |                                      | 11.12          | 0.38               | 115            | RA301E-NS05J         | ※3/4         | BNR32/BCNR33 |              |
|                |                        |                                               | EX       |                                                  |                                                                        |                                                                       |                                      | 11.05          | 0.45               | 110            | RA301E-NS05K         | ※3/4         | BNR34        |              |
| RB25DE(T)      | 254                    | 9.15                                          | IN       | 8.70                                             | 0.45                                                                   | 120                                                                   | 32.0                                 | RA301C-NS06B   |                    | R34 NEO6 TURBO |                      |              |              |              |
|                |                        |                                               | EX       |                                                  |                                                                        |                                                                       |                                      | 115            | RA301E-NS05B       |                | R34 NEO6 TURBO       |              |              |              |
|                |                        |                                               | IN       |                                                  |                                                                        |                                                                       |                                      | 120            | RA301D-NS06A       |                | R33 HYDRAULIC        |              |              |              |
|                | 258                    | 8.50                                          | EX       | 8.50                                             | -                                                                      | 115                                                                   |                                      | RA301F-NS06A   |                    | R33 HYDRAULIC  |                      |              |              |              |
|                |                        |                                               | EX       |                                                  |                                                                        |                                                                       |                                      | 115            | RA301F-NS06B       |                | R33 HYDRAULIC(97.9-) |              |              |              |
|                |                        |                                               | IN       |                                                  |                                                                        |                                                                       |                                      | 120            | RA301C-NS06C       |                | R34 NEO6 TURBO       |              |              |              |
|                | 262                    | 9.15                                          | EX       | 8.70                                             | 0.45                                                                   | 115                                                                   | RA301E-NS05D                         |                | R34 NEO6 TURBO     |                |                      |              |              |              |
|                |                        |                                               | IN       |                                                  |                                                                        |                                                                       | 9.80                                 | 0.45           | 110                | RA301C-NS06A   | ※5/6/7/20            | R33 SOLID    |              |              |
|                |                        |                                               | EX       |                                                  |                                                                        |                                                                       | 9.87                                 | 0.38           | 115                | RA301E-NS06B   | ※5/6/7               | R33 SOLID    |              |              |
|                | 272                    | 10.25                                         | EX       | 9.87                                             | 0.38                                                                   | 115                                                                   | RA301E-NS06A                         | ※5/6/7         | R33 SOLID(97.9-)   |                |                      |              |              |              |
|                |                        |                                               | IN       |                                                  |                                                                        |                                                                       | 9.80                                 | 0.45           | 110                | RA301D-NS07A   |                      | HYDRAULIC    |              |              |
|                |                        |                                               | EX       |                                                  |                                                                        |                                                                       | 9.87                                 | 0.38           | 115                | RA301F-NS06A   |                      | HYDRAULIC    |              |              |
| RB20DE(T)      | 258                    | 8.50                                          | IN       | 8.50                                             | -                                                                      | 115                                                                   | 32.0                                 | RA301D-NS07A   |                    | HYDRAULIC      |                      |              |              |              |
|                |                        |                                               | EX       |                                                  |                                                                        |                                                                       |                                      | 9.80           | 0.45               | 110            | RA301F-NS06A         |              | HYDRAULIC    |              |
| 272            | 10.25                  | IN                                            | 9.80     | 0.45                                             | 110                                                                    | 29.0                                                                  | RA301C-NS07A                         | ※6/7/8         | SOLID              |                |                      |              |              |              |
|                |                        | EX                                            |          |                                                  |                                                                        |                                                                       | 9.87                                 | 0.38           | 115                | RA301E-NS06A   | ※6/7/8               | SOLID        |              |              |
| SR20DET        | 258                    | 7.41                                          | IN       | 11.50                                            |                                                                        | 110                                                                   | 32.0                                 | RA301D-NS08A   |                    | HYDRAULIC      |                      |              |              |              |
|                |                        |                                               | IN       |                                                  |                                                                        |                                                                       |                                      | 120            | RA301D-NS08B       |                | HYDRAULIC NVCS       |              |              |              |
|                |                        |                                               | EX       |                                                  |                                                                        |                                                                       |                                      | 115            | RA301F-NS08A       |                | HYDRAULIC            |              |              |              |
|                | 272                    | 8.15                                          | IN       | 12.50                                            | 0.15                                                                   | 110                                                                   |                                      | RA301C-NS08A   | ※9/10/11           | SOLID          |                      |              |              |              |
|                |                        |                                               | IN       |                                                  |                                                                        |                                                                       |                                      | 120            | RA301C-NS08B       | ※9/10/11       | SOLID NVCS           |              |              |              |
|                |                        |                                               | EX       |                                                  |                                                                        |                                                                       |                                      | 115            | RA301E-NS08A       | ※9/10/11       | SOLID                |              |              |              |
| CA18DE(T)      | 258                    | 8.50                                          | IN       | 8.50                                             | -                                                                      | 110                                                                   | 32.0                                 | RA301D-NS11A   |                    | HYDRAULIC      |                      |              |              |              |
|                |                        |                                               | EX       |                                                  |                                                                        |                                                                       |                                      | 115            | RA301F-NS11A       |                | HYDRAULIC            |              |              |              |
|                | 272                    | 10.25                                         | IN       | 9.80                                             | 0.45                                                                   | 110                                                                   | 29.0                                 | RA301C-NS11A   | ※7/12/13           | SOLID          |                      |              |              |              |
|                |                        |                                               | EX       |                                                  |                                                                        |                                                                       |                                      | 9.87           | 0.38               | 115            | RA301E-NS11A         | ※7/12/13     | SOLID        |              |

| エンジン<br>Engine                         | 作用角<br>Duration<br>(°) | 最大<br>カム<br>リフト<br>Max<br>Cam<br>Lift<br>(mm) | IN<br>EX | 最大<br>バルブ<br>リフト<br>Max<br>Valve<br>Lift<br>(mm) | 冷間時<br>バルブ<br>クリア<br>ランス<br>Cold Valve<br>Clearance<br>(mm)<br>[±0.01] | バルブ<br>タイミング<br>初期設定<br>中心角<br>Initial Lobe<br>Center<br>Angle<br>(°) | ベース<br>サークル<br>Base<br>Circle<br>(Φ) | 品番<br>Part No.               | P.5参照<br>Ref : P.5            | 備考<br>Notes |
|----------------------------------------|------------------------|-----------------------------------------------|----------|--------------------------------------------------|------------------------------------------------------------------------|-----------------------------------------------------------------------|--------------------------------------|------------------------------|-------------------------------|-------------|
| VQ35DE<br>前期(-05.09)<br>EARLY<br>MODEL | 258                    | 10.20                                         | IN       | 9.90                                             | 0.30                                                                   | 125                                                                   | 35.4                                 | RA301C-NS04A                 | Z33(MT/AT)<br>V35 4Dr/2Dr(MT) |             |
|                                        |                        |                                               | EX       | 9.87                                             | 0.33                                                                   | 112                                                                   |                                      | RA301E-NS04A                 |                               |             |
|                                        | 274                    | 11.30                                         | IN       | 11.00                                            | 0.30                                                                   | 125                                                                   |                                      | RA301C-NS04B ※14             |                               |             |
|                                        |                        |                                               | EX       | 10.67                                            | 0.33                                                                   | 112                                                                   |                                      | RA301E-NS04B ※14             |                               |             |
|                                        | 282                    | 11.30                                         | IN       | 11.00                                            | 0.30                                                                   | 125                                                                   |                                      | RA301C-NS04C ※14             |                               |             |
|                                        |                        |                                               | EX       | 10.67                                            | 0.33                                                                   | 112                                                                   |                                      | RA301E-NS04C ※14             |                               |             |
| VQ35DE<br>後期(-07.01)<br>LATE<br>MODEL  | 266                    | 10.80                                         | IN       | 10.50                                            | 0.30                                                                   | 125                                                                   | 35.4                                 | RA301C-NS04D                 | Z33(MT)                       |             |
|                                        |                        |                                               | EX       | 10.47                                            | 0.33                                                                   | 126                                                                   |                                      | RA301E-NS04D                 |                               |             |
|                                        | 274                    | 11.30                                         | IN       | 11.00                                            | 0.30                                                                   | 125                                                                   |                                      | RA301C-NS04E ※14             |                               |             |
|                                        |                        |                                               | EX       | 10.67                                            | 0.33                                                                   | 126                                                                   |                                      | RA301E-NS04E ※14             |                               |             |
|                                        | 282                    | 11.30                                         | IN       | 11.00                                            | 0.30                                                                   | 125                                                                   |                                      | RA301C-NS04F ※14             |                               |             |
|                                        |                        |                                               | EX       | 10.67                                            | 0.33                                                                   | 126                                                                   |                                      | RA301E-NS04F ※14             |                               |             |
| VQ35HR                                 | 266                    | 10.80                                         | IN       | 10.50                                            | 0.30                                                                   | 122                                                                   | 35.4                                 | RA301C-NS03A                 | Z33(MT)                       |             |
|                                        |                        |                                               | EX       | 10.47                                            | 0.33                                                                   | 124                                                                   |                                      | RA301E-NS03A                 |                               |             |
|                                        | 274                    | 11.30                                         | IN       | 11.00                                            | 0.30                                                                   | 122                                                                   |                                      | RA301C-NS03B ※14             |                               |             |
|                                        |                        |                                               | EX       | 10.67                                            | 0.33                                                                   | 124                                                                   |                                      | RA301E-NS03B ※14             |                               |             |
|                                        | 282                    | 11.30                                         | IN       | 11.00                                            | 0.30                                                                   | 122                                                                   |                                      | RA301C-NS03C ※14             |                               |             |
|                                        |                        |                                               | EX       | 10.67                                            | 0.33                                                                   | 124                                                                   |                                      | RA301E-NS03C ※14             |                               |             |
| KA24DE                                 | 270                    | 9.82                                          | IN<br>EX | 9.50<br>9.50                                     | 0.32<br>0.32                                                           | 125<br>120                                                            | 33.6                                 | RA301C-NS16A<br>RA301E-NS16A |                               |             |
| VG30DE(TT)                             | 258                    | 8.50                                          | IN       | 8.50                                             | -                                                                      | 110                                                                   | 32.0                                 | RA301D-NS10A                 | HYDRAULIC                     |             |
|                                        |                        |                                               | EX       |                                                  |                                                                        | 115                                                                   |                                      | RA301F-NS10A                 | HYDRAULIC                     |             |
|                                        | 272                    | 10.25                                         | IN       | 9.80                                             | 0.45                                                                   | 110                                                                   | 29.0                                 | RA301C-NS10A ※6/7/8          | SOLID                         |             |
|                                        |                        |                                               | EX       | 9.87                                             | 0.38                                                                   | 115                                                                   |                                      | RA301E-NS10A ※6/7/8          | SOLID                         |             |
| 4B11                                   | 262                    | 10.30                                         | IN       | 10.10                                            | 0.20                                                                   | 112                                                                   | 34.4                                 | RA301C-MT02A                 |                               |             |
|                                        |                        |                                               | EX       | 9.50                                             | 0.30                                                                   | 120                                                                   |                                      | RA301E-MT02A                 |                               |             |
|                                        | 272                    | 11.50                                         | IN       | 11.30                                            | 0.20                                                                   | 120                                                                   |                                      | RA301C-MT02B ※15             |                               |             |
|                                        |                        |                                               | EX       | 10.70                                            | 0.30                                                                   | 120                                                                   |                                      | RA301E-MT02B ※15             |                               |             |
|                                        | 282                    | 11.50                                         | IN       | 11.30                                            | 0.20                                                                   | 120                                                                   |                                      | RA301C-MT02C ※15             |                               |             |
|                                        |                        |                                               | EX       | 10.70                                            | 0.30                                                                   | 120                                                                   |                                      | RA301E-MT02C ※15             |                               |             |
| 4G63                                   | 272                    | 6.17                                          | IN       | 10.70                                            | -                                                                      | 105                                                                   | 30.0                                 | RA301D-MT01A                 | HYDRAULIC EVO7-8              |             |
|                                        |                        |                                               | EX       |                                                  |                                                                        | 130                                                                   |                                      | RA301E-MT01A                 | HYDRAULIC EVO9                |             |
|                                        |                        | 5.88                                          | IN       | 10.20                                            |                                                                        | 115                                                                   |                                      | RA301F-MT01A                 | HYDRAULIC EVO7-8              |             |
|                                        |                        |                                               | EX       |                                                  |                                                                        | 110                                                                   |                                      | RA301E-MT01B                 | HYDRAULIC EVO9                |             |
|                                        | 282                    | 6.65                                          | IN       | 11.50                                            |                                                                        | 110                                                                   |                                      | RA301D-MT01C ※16/17          | HYDRAULIC EVO7-8              |             |
|                                        |                        |                                               | EX       |                                                  |                                                                        | 130                                                                   |                                      | RA301E-MT01D ※16/17          | HYDRAULIC EVO9                |             |
|                                        |                        | 6.65                                          | IN       |                                                  |                                                                        | 115                                                                   |                                      | RA301F-MT01C ※16/17          | HYDRAULIC EVO7-8              |             |
|                                        |                        |                                               | EX       |                                                  |                                                                        | 110                                                                   |                                      | RA301E-MT01D ※16/17          | HYDRAULIC EVO9                |             |
| EJ25<br>Single AVCS<br>USD M           | 254                    | 10.30                                         | IN       | 10.10                                            | 0.20                                                                   | 125                                                                   | 37.0                                 | RA301C-SB02A                 |                               |             |
|                                        |                        |                                               | EX       | 9.95                                             | 0.35                                                                   | 115                                                                   |                                      | RA301E-SB02A                 |                               |             |
|                                        | 272                    | 11.00                                         | IN       | 10.80                                            | 0.20                                                                   | 125                                                                   |                                      | RA301C-SB02B ※18             |                               |             |
|                                        |                        |                                               | EX       | 10.45                                            | 0.35                                                                   | 115                                                                   |                                      | RA301E-SB02B ※18             |                               |             |
| EJ20/25<br>Dual AVCS                   | 258                    | 10.80                                         | EX       | 10.40                                            | 0.40                                                                   | 130                                                                   | 37.0                                 | RA301E-SB02C                 |                               |             |
|                                        | 262                    | 9.80                                          | IN       | 9.60                                             | 0.20                                                                   | 131                                                                   |                                      | RA301C-SB02C                 |                               |             |
|                                        | 272                    | 10.80                                         | IN       | 10.60                                            | 0.20                                                                   | 131                                                                   |                                      | RA301C-SB02D ※18             |                               |             |
|                                        |                        |                                               | EX       | 10.40                                            | 0.40                                                                   | 130                                                                   |                                      | RA301E-SB02D ※18             |                               |             |
| EJ20<br>Single AVCS                    | 258                    | 9.60                                          | IN       | 9.40                                             | 0.20                                                                   | 127                                                                   | 37.0                                 | RA301C-SB01A                 |                               |             |
|                                        | 266                    | 9.80                                          | EX       | 9.40                                             | 0.40                                                                   | 115                                                                   |                                      | RA301E-SB01A                 |                               |             |
|                                        | 272                    | 10.80                                         | IN       | 10.60                                            | 0.20                                                                   | 127                                                                   |                                      | RA301C-SB01B ※18             |                               |             |
|                                        |                        |                                               | EX       | 10.40                                            | 0.40                                                                   | 115                                                                   |                                      | RA301E-SB01B ※18             |                               |             |

| エンジン<br>Engine             | 作用角<br>Duration<br>(°) | 最大<br>カム<br>リフト<br>Max<br>Cam<br>Lift<br>(mm) | IN<br>EX | 最大<br>バルブ<br>リフト<br>Max<br>Valve<br>Lift<br>(mm) | 冷間時<br>バルブ<br>クリア<br>ランス<br>Cold Valve<br>Clearance<br>(mm)<br>[±0.01] | バルブ<br>タイミング<br>初期設定<br>中心角<br>Initial Lobe<br>Center<br>Angle<br>(°) | ベース<br>サークル<br>Base<br>Circle<br>(Φ) | 品番<br>Part No. | P.5参照<br>Ref : P.5 | 備考<br>Notes |
|----------------------------|------------------------|-----------------------------------------------|----------|--------------------------------------------------|------------------------------------------------------------------------|-----------------------------------------------------------------------|--------------------------------------|----------------|--------------------|-------------|
| 1JZ-GTE<br>VVT-i           | 260                    | 8.90                                          | IN       | 8.70                                             | 0.20                                                                   | 119                                                                   | 36.0                                 | RA301C-TY04A   |                    |             |
|                            |                        | 9.10                                          | EX       | 8.80                                             | 0.30                                                                   | 112                                                                   |                                      | RA301E-TY04A   |                    |             |
| 2JZ-GTE<br>前期<br>Non VVT-i | 260                    | 8.90                                          | IN       | 8.70                                             | 0.20                                                                   | 110                                                                   | 36.0                                 | RA301C-TY03A   |                    |             |
|                            |                        | 9.10                                          | EX       | 8.80                                             | 0.30                                                                   | 115                                                                   |                                      | RA301E-TY03A   |                    |             |
|                            | 270                    | 11.00                                         | IN       | 10.80                                            | 0.20                                                                   | 110                                                                   | 33.0                                 | RA301C-TY03B   | ※19                |             |
|                            |                        |                                               | EX       | 10.70                                            | 0.30                                                                   | 115                                                                   |                                      | RA301E-TY03B   | ※19                |             |
|                            | 280                    | 11.00                                         | IN       | 10.80                                            | 0.20                                                                   | 110                                                                   | 33.0                                 | RA301C-TY03C   | ※19                |             |
|                            |                        |                                               | EX       | 10.70                                            | 0.30                                                                   | 115                                                                   |                                      | RA301E-TY03C   | ※19                |             |
|                            | 290                    | 11.00                                         | IN       | 10.80                                            | 0.20                                                                   | 110                                                                   | 33.0                                 | RA301C-TY03D   | ※19                |             |
|                            |                        |                                               | EX       | 10.70                                            | 0.30                                                                   | 115                                                                   |                                      | RA301E-TY03D   | ※19                |             |
| 2JZ-GTE<br>後期<br>VVT-i     | 260                    | 8.90                                          | IN       | 8.70                                             | 0.20                                                                   | 123                                                                   | 36.0                                 | RA301C-TY03E   |                    |             |
|                            |                        | 9.10                                          | EX       | 8.80                                             | 0.30                                                                   | 116                                                                   |                                      | RA301E-TY03E   |                    |             |
|                            | 270                    | 11.00                                         | IN       | 10.80                                            | 0.20                                                                   | 123                                                                   | 33.0                                 | RA301C-TY03F   | ※19                |             |
|                            |                        |                                               | EX       | 10.70                                            | 0.30                                                                   | 116                                                                   |                                      | RA301E-TY03F   | ※19                |             |
|                            | 280                    | 11.00                                         | IN       | 10.80                                            | 0.20                                                                   | 123                                                                   | 33.0                                 | RA301C-TY03G   | ※19                |             |
|                            |                        |                                               | EX       | 10.70                                            | 0.30                                                                   | 116                                                                   |                                      | RA301E-TY03G   | ※19                |             |
|                            | 290                    | 11.00                                         | IN       | 10.80                                            | 0.20                                                                   | 123                                                                   | 33.0                                 | RA301C-TY03H   | ※19                |             |
|                            |                        |                                               | EX       | 10.70                                            | 0.30                                                                   | 116                                                                   |                                      | RA301E-TY03H   | ※19                |             |
| 4AG<br>5VALVE              | 258                    | 8.15                                          | IN       | 7.91                                             | 0.24                                                                   | 120                                                                   | 32.0                                 | RA301C-TY02A   |                    |             |
|                            |                        |                                               | EX       | 7.71                                             | 0.44                                                                   | 110                                                                   |                                      | RA301E-TY02A   |                    |             |
|                            | 274                    | 8.15                                          | IN       | 7.91                                             | 0.24                                                                   | 120                                                                   |                                      | RA301C-TY02B   |                    |             |
|                            |                        |                                               | EX       | 7.71                                             | 0.44                                                                   | 110                                                                   |                                      | RA301E-TY02B   |                    |             |
|                            | 290                    | 10.00                                         | IN       | 9.76                                             | 0.24                                                                   | 120                                                                   |                                      | RA301C-TY02C   |                    |             |
|                            |                        |                                               | EX       | 9.56                                             | 0.44                                                                   | 110                                                                   |                                      | RA301E-TY02C   |                    |             |
| 306                        | 11.00                  | IN                                            | 10.76    | 0.24                                             | 120                                                                    | RA301C-TY02D                                                          |                                      |                |                    |             |
| 4AG<br>4VALVE              | 258                    | 8.15                                          | IN       | 7.95                                             | 0.20                                                                   | 105                                                                   | 28.0                                 | RA301C-TY01A   |                    |             |
|                            |                        |                                               | EX       | 7.90                                             | 0.25                                                                   | 110                                                                   |                                      | RA301E-TY01A   |                    |             |
|                            | 274                    | 8.15                                          | IN       | 7.95                                             | 0.20                                                                   | 106                                                                   | 28.0                                 | RA301C-TY01B   |                    |             |
|                            |                        |                                               | EX       | 7.90                                             | 0.25                                                                   | 110                                                                   |                                      | RA301E-TY01B   |                    |             |
|                            | 290                    | 10.00                                         | IN       | 9.77                                             | 0.23                                                                   | 108                                                                   | 27.5                                 | RA301C-TY01C   |                    |             |
|                            |                        |                                               | EX       | 9.75                                             | 0.25                                                                   | 110                                                                   |                                      | RA301E-TY01C   |                    |             |
| 306                        | 11.00                  | IN                                            | 10.77    | 0.23                                             | 110                                                                    | RA301C-TY01D                                                          |                                      |                |                    |             |
| G4KF                       | 262                    | 10.30                                         | IN       | 10.10                                            | 0.20                                                                   | 128                                                                   | 34.4                                 | RA301C-HY01A   |                    |             |
|                            |                        | 9.80                                          | EX       | 9.50                                             | 0.30                                                                   | 117                                                                   | 36.4                                 | RA301E-HY01A   |                    |             |
|                            | 272                    | 11.50                                         | IN       | 11.30                                            | 0.20                                                                   | 128                                                                   | 34.4                                 | RA301C-HY01B   | ※15                |             |
|                            |                        | 11.00                                         | EX       | 10.70                                            | 0.30                                                                   | 122                                                                   | 36.4                                 | RA301E-HY01B   | ※15                |             |
|                            | 282                    | 11.50                                         | IN       | 11.30                                            | 0.20                                                                   | 128                                                                   | 34.4                                 | RA301C-HY01C   | ※15                |             |
|                            |                        | 11.00                                         | EX       | 10.70                                            | 0.30                                                                   | 122                                                                   | 36.4                                 | RA301E-HY01C   | ※15                |             |

- ※1 R.S.E. VR38 バルブスプリングが必要になります (品番 RA304A-NS01A)。
- ※2 R.S.E. RB26 TYPE-A バルブスプリングまたはTYPE-B バルブスプリングが必要になります (品番 RA304A-NS05A または RA304A-NS05B)。
- ※3 R.S.E. RB26 TYPE-B バルブスプリングが必要になります (品番 RA304A-NS05B)。
- ※4 R.S.E. RB26 バルブリフター +1.0mm が必要になります (品番 RA307A-NS05A)。
- ※5 R.S.E. RB25 TYPE-B バルブスプリングが必要になります (品番 RA304A-NS06B)。
- ※6 R.S.E. RB20/RB25/VG30 バルブリフターソリッドタイプが必要になります (品番 RA307A-NS06A)。
- ※7 R.S.E. RB20/RB25/VG30/CA18 専用シムが必要になります (品番は厚みにより異なります)。
- ※8 R.S.E. RB20/VG30 バルブスプリングが必要になります (品番 RA304A-NS07A)。
- ※9 R.S.E. SR20 バルブスプリングが必要になります (品番 RA304A-NS08A)。
- ※10 R.S.E. SR20 ソリッドピボットが必要になります (品番 RA308B-NS08A)。
- ※11 R.S.E. SR20 シム、ガイドが必要になります (品番は厚みにより異なります)。
- ※12 R.S.E. CA18 バルブスプリングが必要になります (品番 RA304A-NS11A)。
- ※13 R.S.E. CA18 バルブリフターソリッドタイプが必要になります (品番 RA307A-NS11A)。
- ※14 R.S.E. VQ35 バルブスプリングが必要になります (品番 RA304A-NS04A)。
- ※15 R.S.E. 4B11/G4KF バルブスプリングが必要になります (品番 RA304A-MT02A)。
- ※16 R.S.E. 4G63 バルブスプリングが必要になります (品番 RA304A-MT01A)。
- ※17 EVO8/9にR.S.E. バルブスプリングを使用する場合は三菱純正EVO7用リテーナーが必要になります。
- ※18 R.S.E. EJ20/EJ25 バルブスプリングが必要になります (品番 RA304A-SB01A)。
- ※19 R.S.E. 2JZ インナーシムキットが必要になります (品番 RA312A-TY03A)。
- ※20 調整式カムギア交換が必要になります。

- ※1 R.S.E. VR38 Valve Springs required for installation (P/N RA304A-NS01A).
- ※2 R.S.E. RB26 TYPE-A Valve Springs or TYPE-B Valve Springs required for installation (P/N RA304A-NS05A or RA304A-NS05B).
- ※3 R.S.E. RB26 TYPE-B Valve Springs required for installation (P/N RA304A-NS05B).
- ※4 R.S.E. RB26 Valve Lifter +1.0mm required for installation (P/N RA307A-NS05A).
- ※5 R.S.E. RB25 TYPE-B Valve Springs required for installation (P/N RA304A-NS06B).
- ※6 R.S.E. RB20/RB25/VG30 Solid Valve Lifters required for installation (P/N RA307A-NS06A).
- ※7 R.S.E. RB20/RB25/VG30/CA18 Special Shims for Solid Valve Lifters required for installation (P/N Depends on thickness).
- ※8 R.S.E. RB20/VG30 Valve Springs required for installation (P/N RA304A-NS07A).
- ※9 R.S.E. SR20 Valve Springs required for installation (P/N RA304A-NS08A).
- ※10 R.S.E. SR20 Solid Pivots required for installation (P/N RA308B-NS08A).
- ※11 R.S.E. SR20 Solid Pivot Shims & Guides required for installation (P/N Depends on thickness).
- ※12 R.S.E. CA18 Valve Springs required for installation (P/N RA304A-NS11A).
- ※13 R.S.E. CA18 Solid Valve Lifters required for installation (P/N RA307A-NS11A).
- ※14 R.S.E. VQ35 Valve Springs required for installation (P/N RA304A-NS04A).
- ※15 R.S.E. 4B11/G4KF Valve Springs required for installation (P/N RA304A-MT02A).
- ※16 R.S.E. 4G63 Valve Springs required for installation (P/N RA304A-MT01A).
- ※17 MITSUBISHI OEM EVO7 Valve Spring Retainers required when using R.S.E. Valve Springs on the EVO8/9 models.
- ※18 R.S.E. EJ20/EJ25 Valve Springs required for installation (P/N RA304A-SB01A).
- ※19 R.S.E. 2JZ Inner Shim Kit required for installation (P/N RA312A-TY03A).
- ※20 Adjustable Cam Gear required for installation.

## 注意

- この取扱説明書は製品に関わる特記事項についてまとめたものです。実際の作業や手順については各自動車メーカー発行の整備要領書をご確認ください。
- 本製品は自動車競技部品です。サーキットなどの公道ではない閉鎖された場所で使用してください。
- 本製品の取り付けは設備の整った環境で、資格をもった整備士が行ってください。
- 適合する車種以外へのご使用はおやめください。本製品および、エンジンを破損する恐れがあります。
- 本製品の取り付けに必要な各部品の脱着の際には指定トルクなどを守り、無理な力を加えないでください。本製品および、エンジンを破損する恐れがあります。
- 本製品を取り付ける際には、適切な工具、保護具を使用してください。ご使用にならないとけがにつながり危険です。

## 警告

- 本製品の取り付けはエンジンおよび、周辺部分が十分に冷えた状態で行ってください。
- 部品の欠落により車両の破損・火災が起こる可能性や、後続・周辺車両へ害がおよぶ恐れがあるため、製品構成部品の取り付けは確実に行ってください。

## 取り付けの前に行ってください

- カムシャフトは必ず洗浄・点検をしてください。  
カムシャフトは工場出荷の際に防錆処理を施してあるため、開封後、そのままではご使用になれません。装着の前に必ず洗浄してください。また、バリなどについても点検・確認を行ってください。
- カムシャフトのリフト量とバルブスプリングの密着寸法を確認してください。  
カムシャフトのリフト量を確認し、線間密着が起きないバルブスプリングを選択してください。バルブスプリングが線間密着を起こすと、バルブ周りの破損につながります。



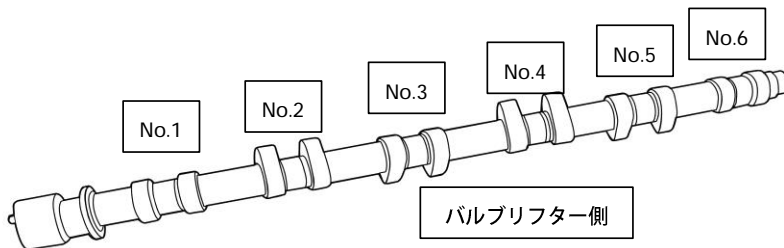


## カムシャフトの破損にご注意ください

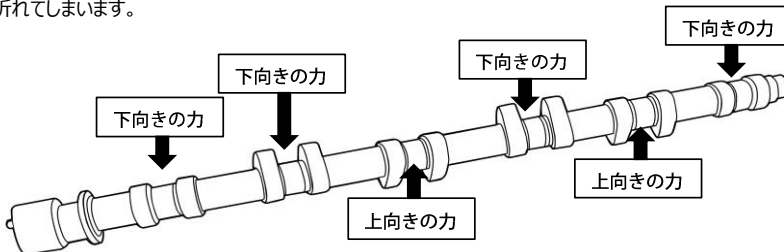
- 本製品は純正カムシャフトより作用角・リフト量が大きくなるため、組み付けにくくなります。組付けの際にはカムシャフトが破損しないように、細心の注意を払って作業を行ってください。カムシャフトの取り外し・組み付けの作業手順を誤ると、カムシャフトの破損や曲がり、ジャーナル部の損傷などにつながります。

1番シリンダーの圧縮上死点を出して組み付ける場合、インテーク側は6気筒の場合は3番と5番が、4気筒の場合は3番のカム山がバルブをリフトさせる方向に向きます。エキゾースト側は6気筒が2番と4番、4気筒は2番のカム山がリフト方向に向きます。

下の図は直列6気筒エンジンのインテーク側カムシャフトを組み付ける際に1番シリンダーを圧縮上死点に合わせた時のカム山の向きを示しています。



この状態で締めやすい1/2/4/6番のカムキャップボルトを3/5番より多く締め込んでしまうとカムシャフトに対して上下別方向の力が強くかかってしまい、カムが歪み、最悪の場合は折れてしまいます。



カムシャフトを組み付ける際は、できるだけヘッド面に対してカムを水平に均等に少しづつ締めていってください。

締め込み方法は、リフターを押しているカム山を基準に、ボルトを半回転ずつ締めていき、リフターを押していないカム山も同様に締めていき、カム全体が水平にヘッドに沈んでいくようにしてください。



## 作業上の注意

- **カムシャフトとシリンダーヘッドのクリアランスをご確認ください。**  
ハイリフトタイプのカムシャフトを装着する際に、車種によってはシリンダーヘッドに逃げ加工を施さなければならないものがあります。必ず仮組みを行い、カムシャフトを回転させ、シリンダーヘッドの各部に干渉しないか確認してください。
- **バルブクリアランスをご確認ください。**  
組みつけの際は本書指定の冷間時バルブクリアランス指定値に調整してください。
- **バルブタイミングを調整してください。**  
バルブタイミングはエンジン仕様や求める性能によって異なります。本書記載のバルブタイミングを基準に調整を行ってください。
- **ピストン/バルブクリアランスをご確認ください。**  
ピストンとバルブのクリアランスは、ご使用になるカムシャフトのリフト量や作用角、バルブタイミング、ピストンのリセス形状によって変化します。  
必ず仮組みを行い、クリアランスをご確認ください。
- **点火時期の調整を行ってください。**  
カムシャフトの交換、バルブタイミングの変更を行うと、点火時期が変化するため、確認と調整を行ってください。

## バルブタイミングの調整について

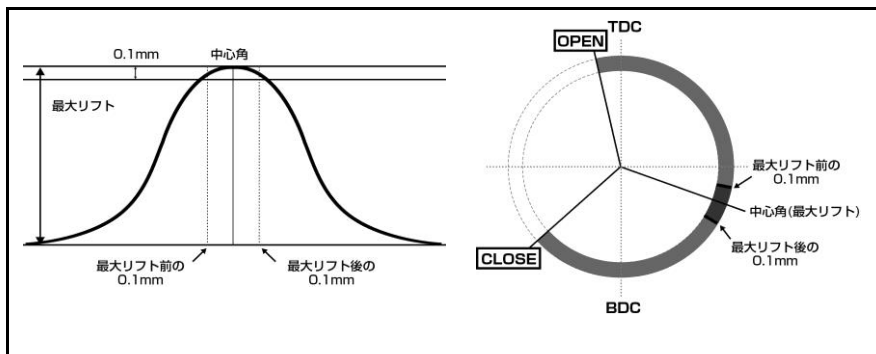
バルブタイミングの調整はエンジン性能の向上に大きく関わる重要な作業です。  
慎重かつ確実に行ってください。

※ 全円分度器、ダイヤルゲージをご用意ください。

- クランクプリーの刻印を元に、測定するシリンダーの圧縮上死点を出してください。  
(通常は1番シリンダー)
- クランクプリーに全円分度器を取付け、近辺のボルトなどを利用して、針金などで指針を作ります。  
その指針の先端を上死点0°の位置に合わせます。0°の位置は任意の見やすい位置に設定してください。
- プラグ穴からピストンに垂直にダイヤルゲージをセットします。
- 圧縮上死点の前後0.1mm時のクランク角度が同じかを確認し、正しく圧縮上死点が取れているかを確認します。
- バルブステムと平行にダイヤルゲージをセットしてください。  
直動式はバルブリアダーに、ロッカーアーム式はバルブスプリングリテーナーに先端をセットしてください。
- クランクシャフトをエンジン回転方向に回し、ダイヤルゲージで最大リフト位置を確認してください。

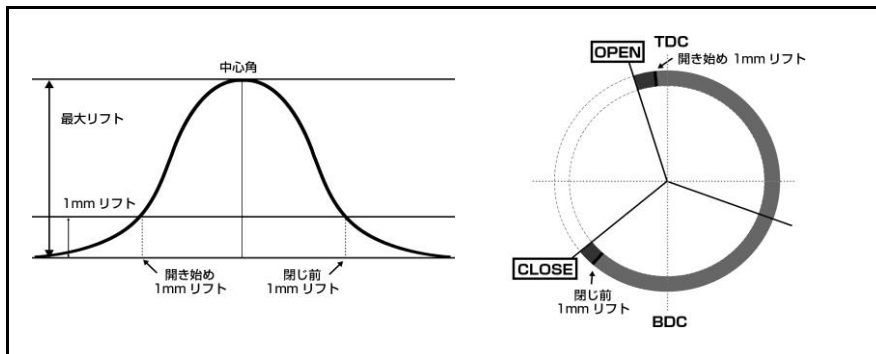
### 最大リフト位置からの測定

- 最大リフト位置前後0.1mmのクランク角度を確認します。(複数回確認してください)  
例) カム270° 最大リフト前0.1mm=96°、最大リフト後0.1mm=122°だった場合、  
中心角は  $(96+122) \div 2 = 109^\circ$  となります。  
※0.1mm前後ではなく任意の位置でも構いません。
- 上記の数値を元に設定したい中心角にカムギアを調整します。
- 再度、最大リフト位置前後0.1mmのクランク角度を計測し、設定値の確認を行ってください。



### 1mm(0.05インチ) リフト位置からの測定

- バルブが開いてから1mm(0.05インチ) と閉じる前の1mm (0.05インチ) の位置のクランク角度を全円分度器で確認します。(複数回確認してください)
- 上記の数値を元に設定したい1mm(0.05インチ) リフト時のクランク角度にカムギアを調整します。
- 再度、バルブが開いてから1mm(0.05インチ) 、閉じる前の1mm(0.05インチ) のクランク角度を計測し、設定値の確認を行ってください。





## WARNING

- This installation manual contains important information regarding this product. For details regarding the assembly/disassembly of stock components, please refer to the vehicle's official servicing manual.
- This product is intended for motorsport/competition use and should NOT be used on public roads.
- This product should be installed by a trained professional in a well-equipped workshop.
- Only install this product on the specified vehicles to avoid product and/or engine damage.
- Ensure the appropriate amount of torque is used to remove/install the fastenings. Do NOT use excessive force as this can damage the product and/or the engine.
- Always use the appropriate tools and safety equipment when installing this product. Failing to do so is extremely dangerous and may result in injury.



## CAUTION

- Only install this product when the engine and surrounding components are cold.
- Ensure that all parts are fitted correctly during installation to avoid potential fire hazards and/or damage. Failing to do so is not only dangerous for you but also those around you.



## BEFORE INSTALLING

- Clean and inspect the new camshafts.  
Our camshafts are shipped with an anti-rust coating from the factory. This needs to be cleaned/removed prior to installation. Ensure you also check for burrs during this process.
- Measure and check both the camshaft lift as well as valve spring bind clearance.  
Check the camshaft lift amount and choose an appropriate valve spring to prevent binding. Valve spring binding not only damages the springs themselves but also the other valve train components.



## DAMAGING THE CAMSHAFT

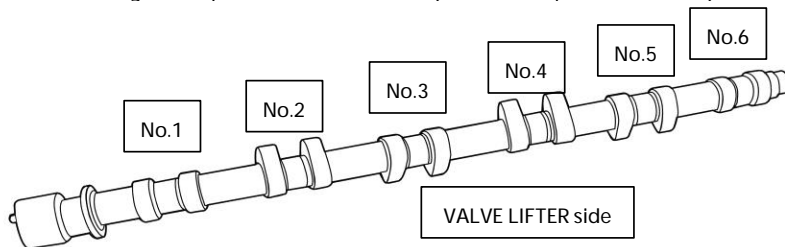
- These camshafts feature greater lift and longer duration than stock which can sometimes make installation challenging. To avoid damaging the camshafts, ensure you proceed with due care and attention. Failing to follow the correct procedure for both installation and removal can lead to scratched journals and/or bent/broken camshafts.

When installing with cylinder #1 set to TDC (on the compression stroke), ensure that the nose of the following cam lobes are facing the lifter:

6-Cylinder - INTAKE lobes #3 and #5 / EXHAUST lobes #2 and #4

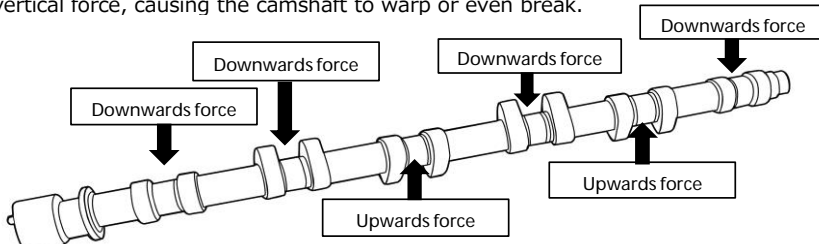
4-Cylinder - INTAKE lobe #3 / EXHAUST lobe #2

The below shows the orientation of the INTAKE cam lobes for a 6 cylinder engine when installing with cylinder #1 set to TDC (on the compression stroke)



Be careful not to over tighten the cam cap bolts on lobes #1, #2, #4 and #6.

Whilst these are easier to tighten than lobes #3 and #5, doing so will result in uneven vertical force, causing the camshaft to warp or even break.



When installing the camshafts, ensure that you tighten down the bolts slowly and evenly so that the camshaft sits level in the cylinder head.

To do this, tighten each bolt 180 degrees at a time, starting with a lobe that is already facing the lifter. As you alternate between the bolts with every 180 degree turn, the camshaft should gradually nest into the correct position.



## INSTALLATION PRECAUTIONS

- **Check the clearance between the camshaft and cylinder head.**  
On some vehicles you may need to modify the cylinder head to accommodate the high lift camshafts. To check whether you have adequate clearance, test fit the camshafts first and rotate manually to see if the camshafts interfere with the head.
- **Check valve clearance.**  
Ensure you adjust the valve clearances as per the Cold Valve Clearance figures detailed herein.
- **When installing solid type camshafts, ensure you also install the accompanying parts.**  
For solid type camshaft installations, be sure to also purchase and install the corresponding solid type valve lifters, shims and guides etc.
- **Adjust valve timing.**  
Using the data contained herein as reference, adjust the valve timing to suit the intended use/application of the engine.
- **Check the piston and valve clearances.**  
Ensure you test fit all the components to check piston and valve clearances. These can vary greatly depending on camshaft lift, duration, valve timing as well as the valve recesses on the pistons.
- **Adjust the ignition timing.**  
Changing camshafts and/or valve timing will also require the ignition timing to be adjusted to suit the new setup.

## ADJUSTING THE VALVE TIMING

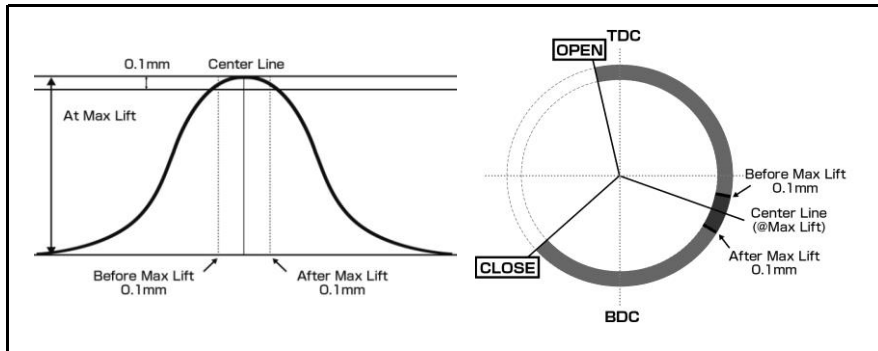
Adjusting the valve timing is an part of performance engine tuning. This should be conducted carefully and accurately.

※ Ensure you have a degree wheel and dial indicator to hand.

- Using the markings on the crankshaft pulley as reference find the TDC (compression stroke) of a given cylinder. (usually cylinder #1)
- Attach the degree wheel to the crankshaft pulley and affix a piece of sharpened metal to a nearby bolt to act as a pointer.  
Ensure the metal pointer is set at TDC 0° and position the wheel so that 0° can be easily seen.
- Insert the dial indicator through the spark plug hole and ensure it rests vertically on the piston.
- At +/- 0.1mm TDC the crank angle should also read the same if TDC has been set correctly.
- Place the dial indicator parallel to the valve stem.  
Make sure the dial indicator point is placed on the valve lifter for a direct acting valve train system or on the valve spring retainer for a rocker arm system.
- Rotate the crankshaft in the natural rotation direction of the engine and check the MAX lift via the dial indicator.

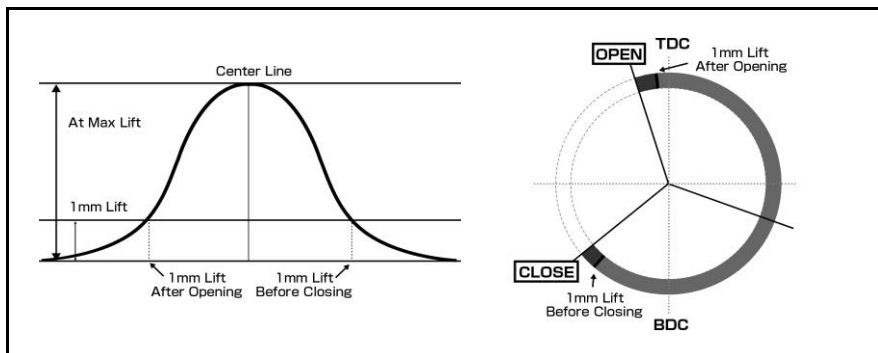
## Values at MAX lift.

- Measure the crank angle at MAX lift +/-0.1mm. (repeat multiple times)
  - e.g. CAMS 270° MAX LIFT -0.1mm = 96°, MAX LIFT +0.1mm = 122°
  - Centreline =  $(96+122) \div 2 = 109^\circ$
  - ※Does not need to be based on MAX lift +/-0.1mm.
- Using the values obtained above, use adjustable cam gears to achieve the desired centreline angle.
- Check the crank angles at MAX lift +/-0.1mm once more to ensure you have the correct setting.



## Values at 1mm (0.05inches) lift.

- Using the degree wheel, measure the crank angles at 1mm(0.05inches) after the valves open and at 1mm (0.05inches) before they close (repeat multiple times).
- Using the values obtained above, use adjustable cam gears to achieve the desired centreline angle at 1mm (0.05inches) lift.
- Check the crank angles again at 1mm(0.05inches) after the valves open and at 1mm (0.05inches) before they close to ensure you have the correct setting.











---

〒252-0002 神奈川県座間市小松原2-54-9

TEL : 046-205-4870

FAX : 046-205-4872

2-54-9 Komatsubara Zama-shi Kanagawa 252-0002 JAPAN

TEL : +81-46-205-4870

FAX : +81-46-205-4872

[www.realspeedengineering.com](http://www.realspeedengineering.com)

---

この製品に関するお問い合わせは上記までお願いいたします。

営業時間：月～金（祝祭日・夏季休業・年末年始休業をのぞく）

10:00～12:00 / 13:00～17:00

If you have any questions in regards to the installation of this product, please contact us.

OPEN: Monday - Friday (National holidays and public holidays excluded).

10:00～12:00 / 13:00～17 : 00